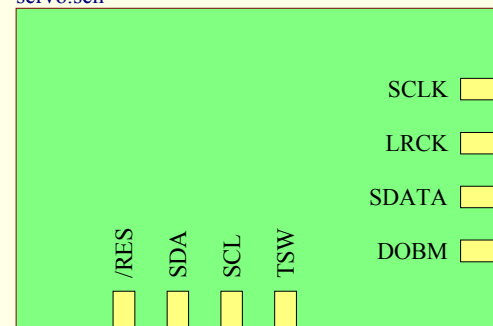
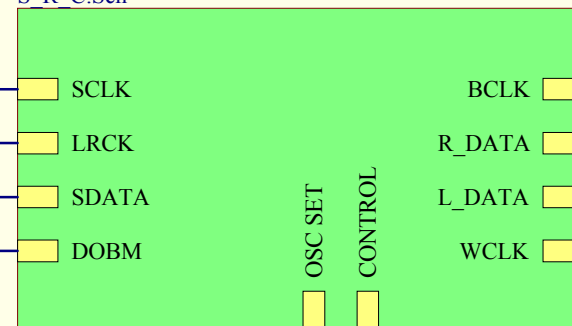


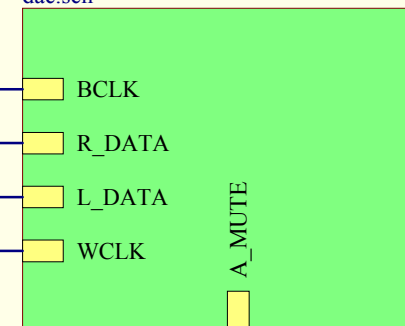
SERVO
servo.sch



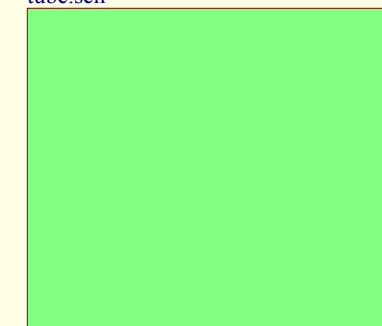
DIGITAL PROCESSOR
S R C.Sch



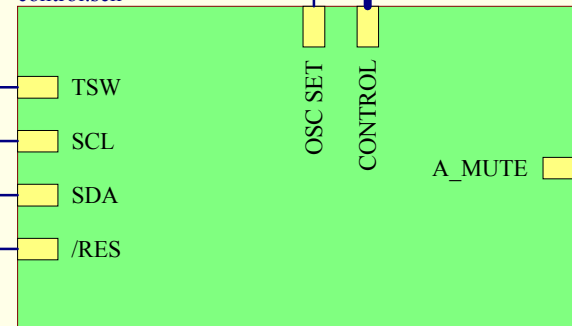
D/A I/V LOW PASS FILTER AMPLIFIER
dac.sch



TUBE AMPLIFIER
tube.sch



CONTROL and DISPLAY
control.sch



TRANSFORMER
transformer.sch



POWER SUPPLY
power.sch



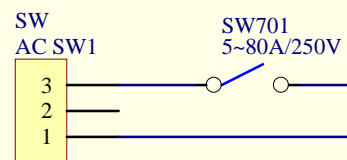
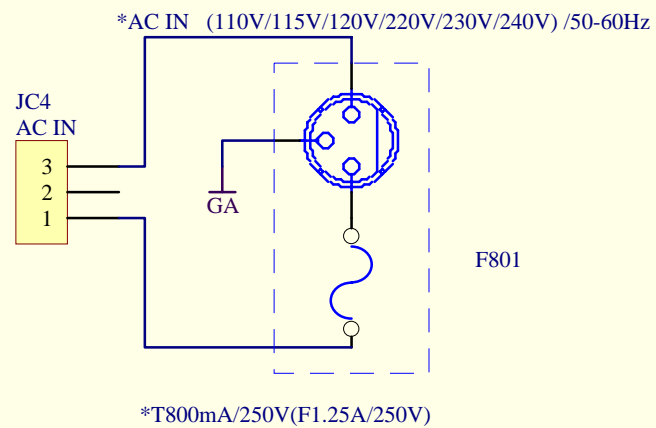
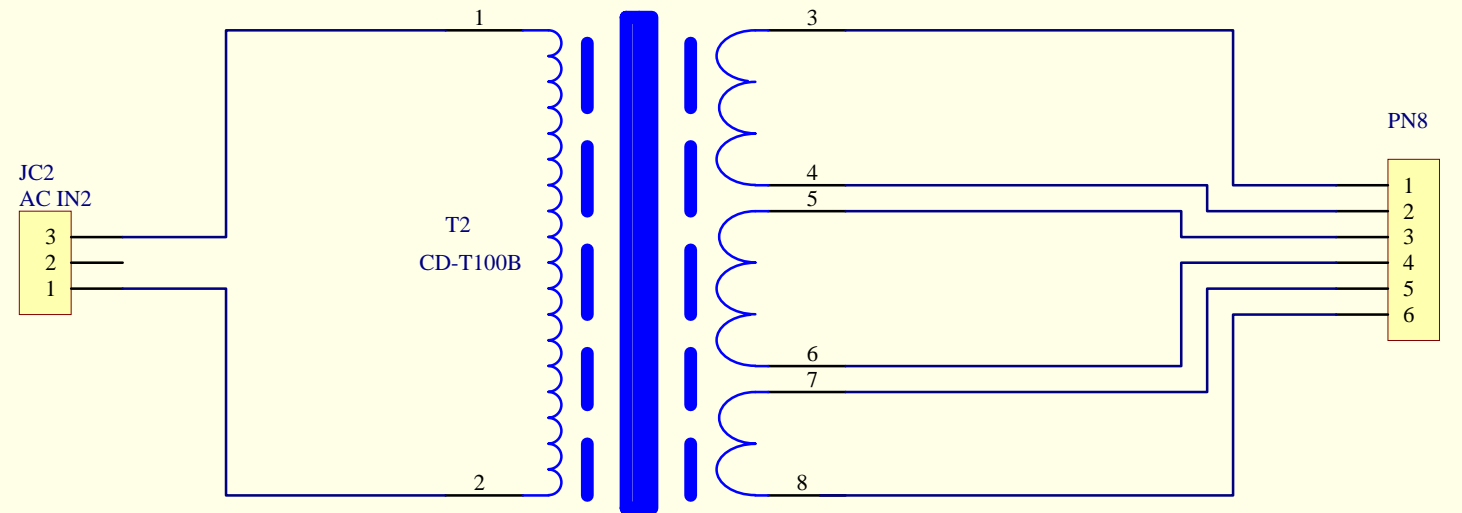
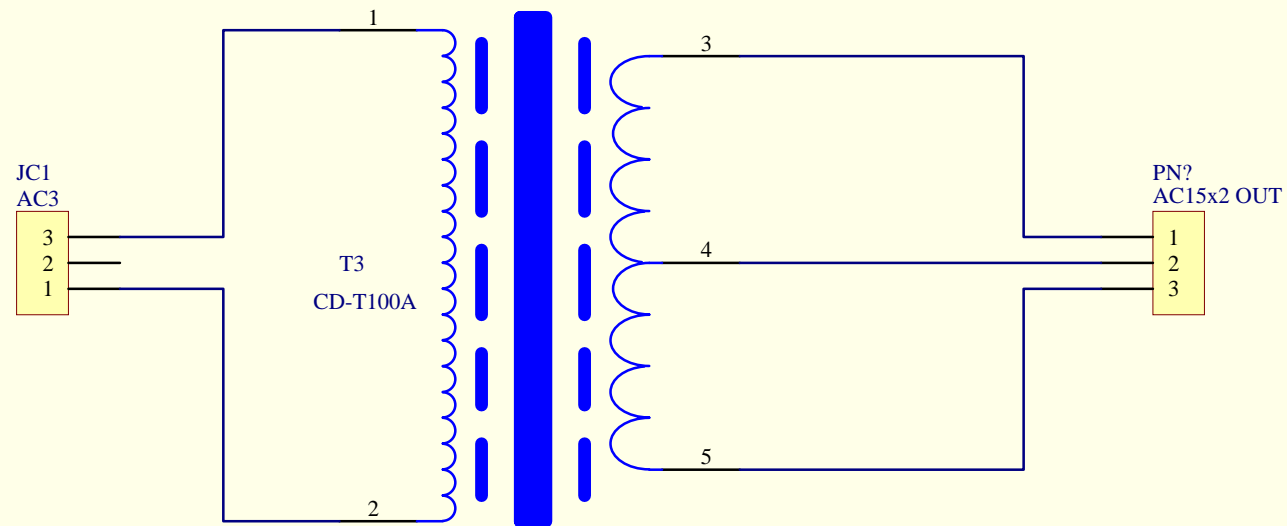
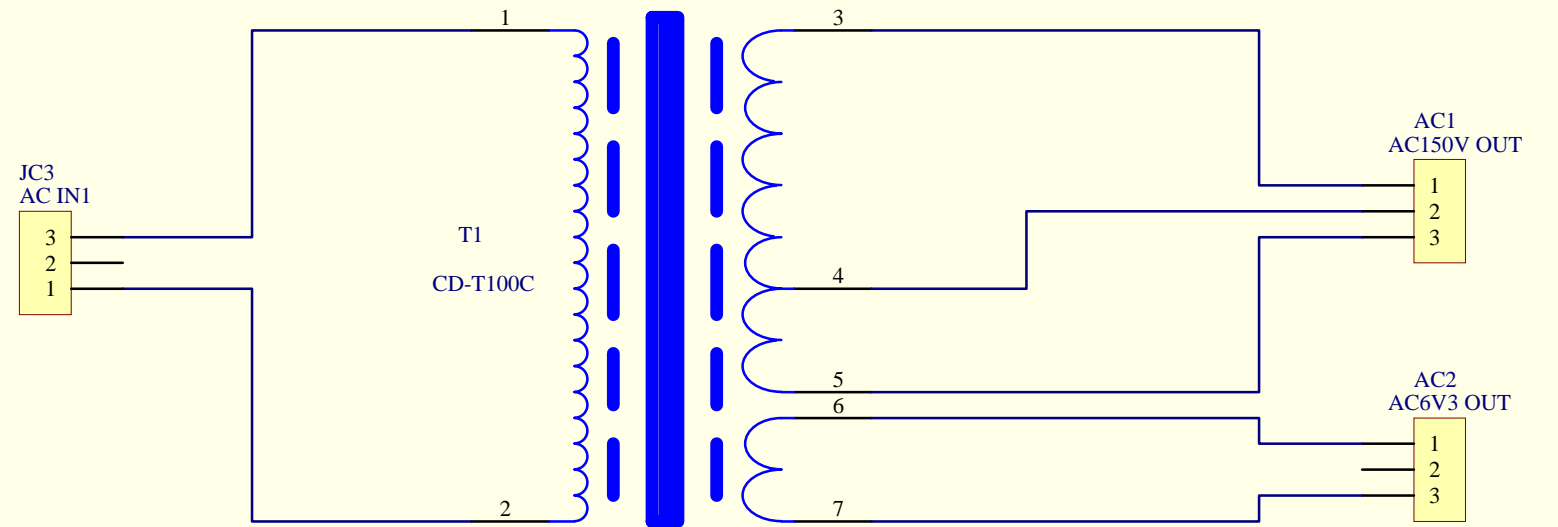
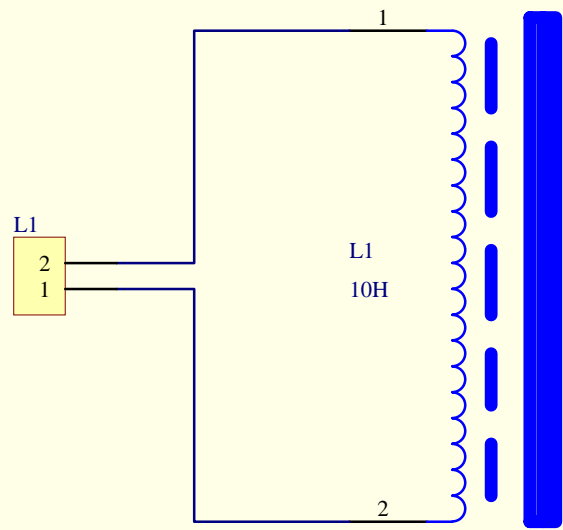
SHANLING

CD-T100 TUBE HDCD PLAYER CIRCUITRY

Date:

DraWn By:

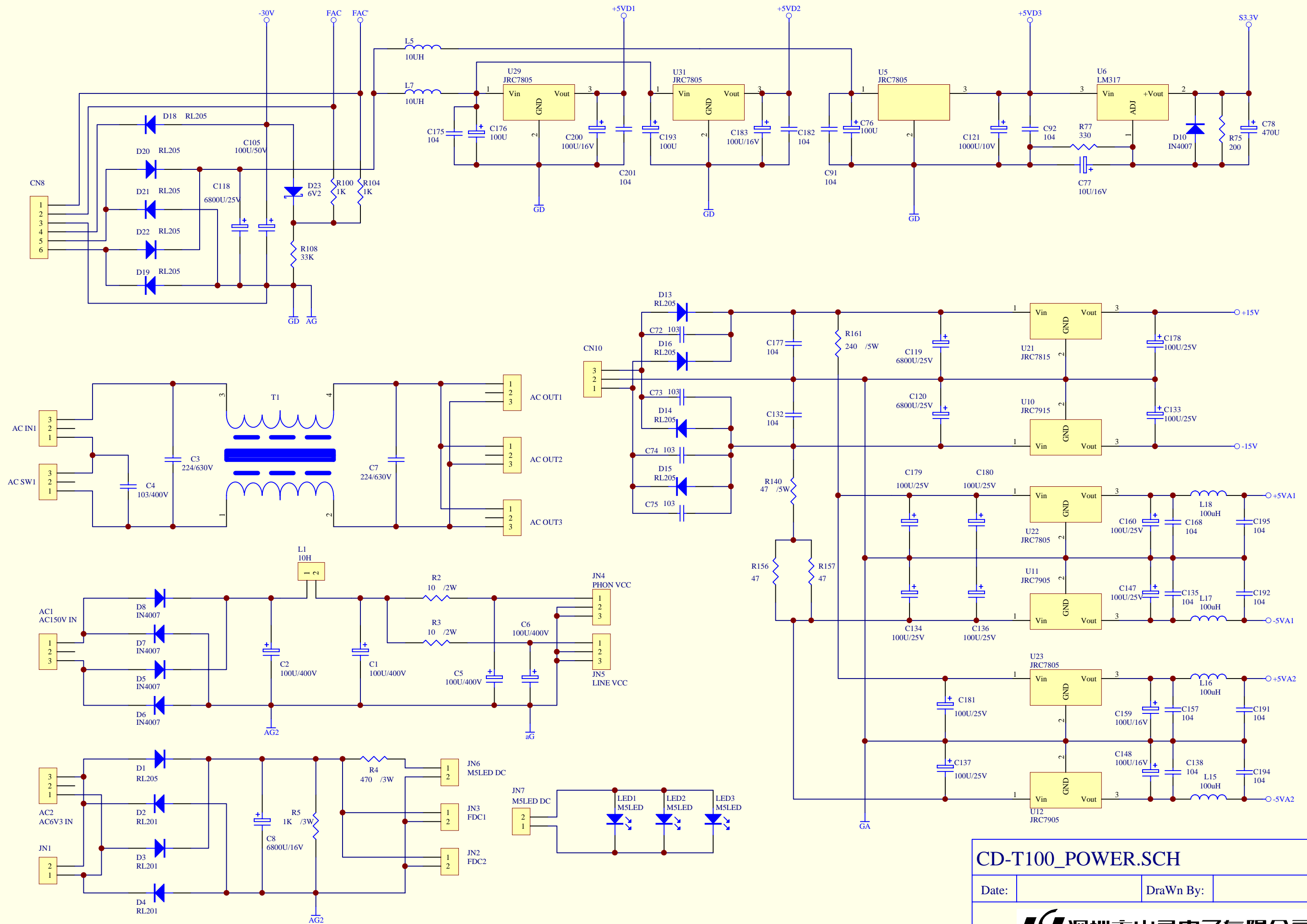
SHANLING 深圳市山灵电子有限公司
SHENZHEN SHANLING ELECTRONIC CO., LTD.



CD-T100_TRANSFORMER.SCH

Date:

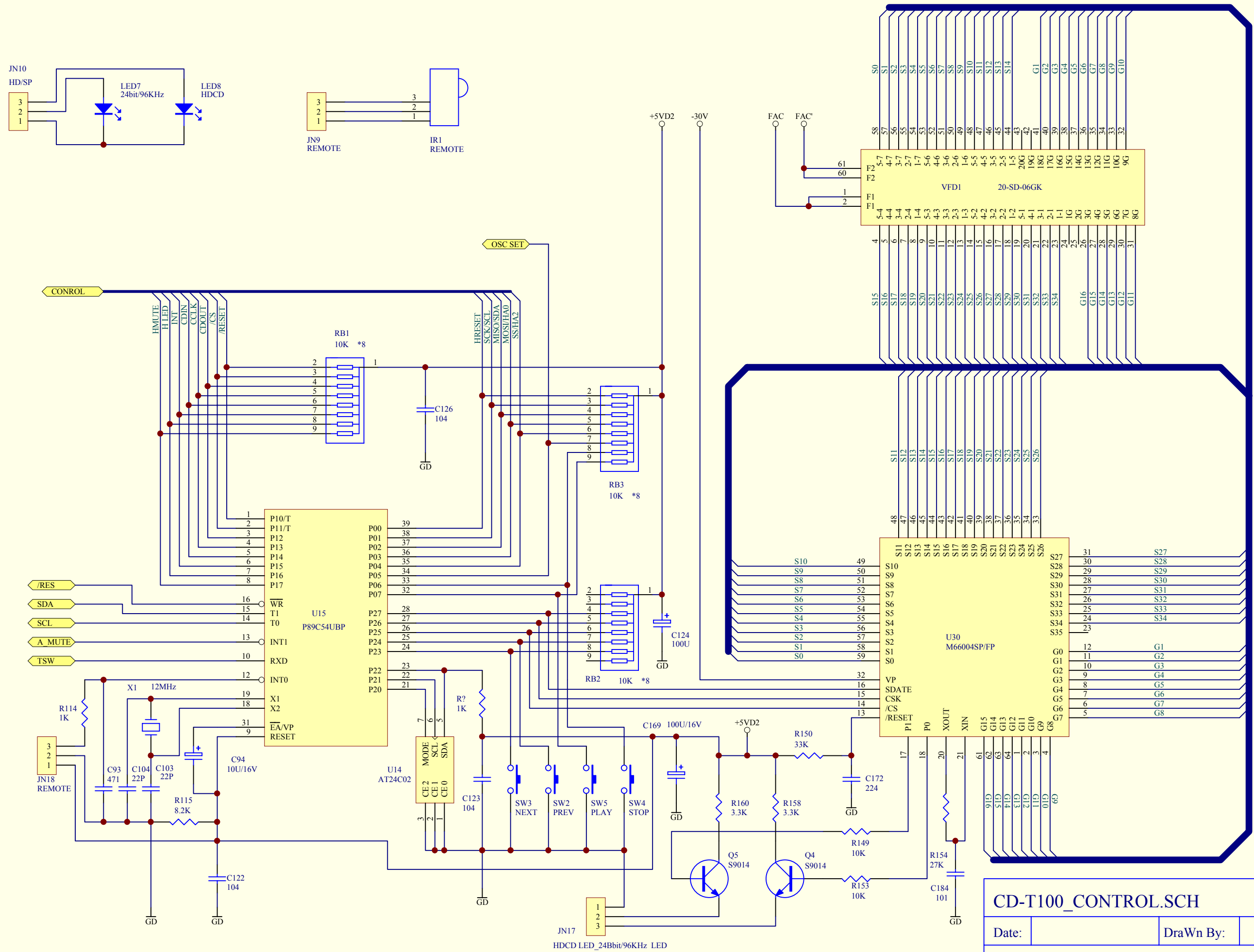
DraWn By:



CD-T100_POWER.SCH

Date:		Drawn By:	
-------	--	-----------	--



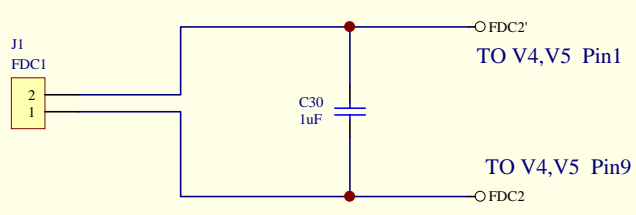
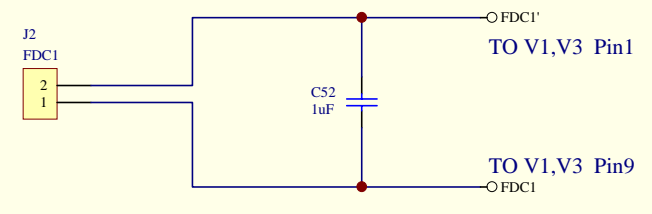
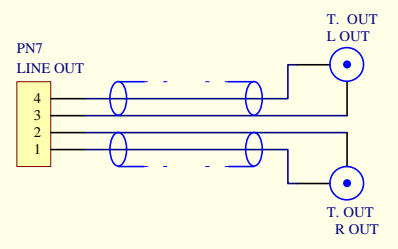
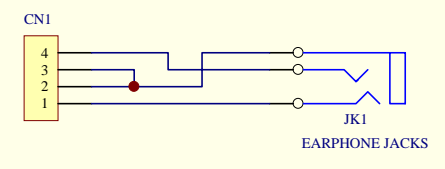
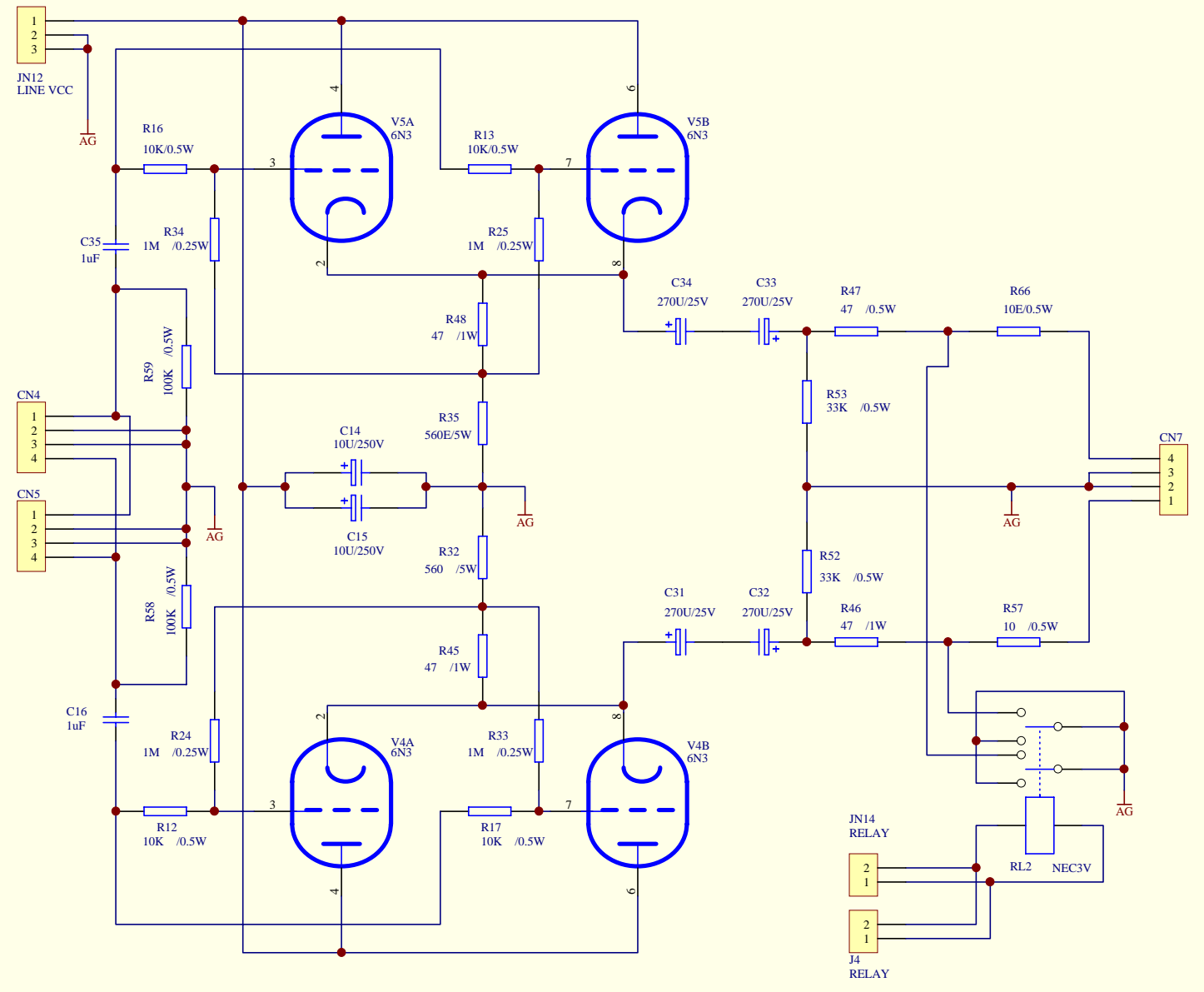
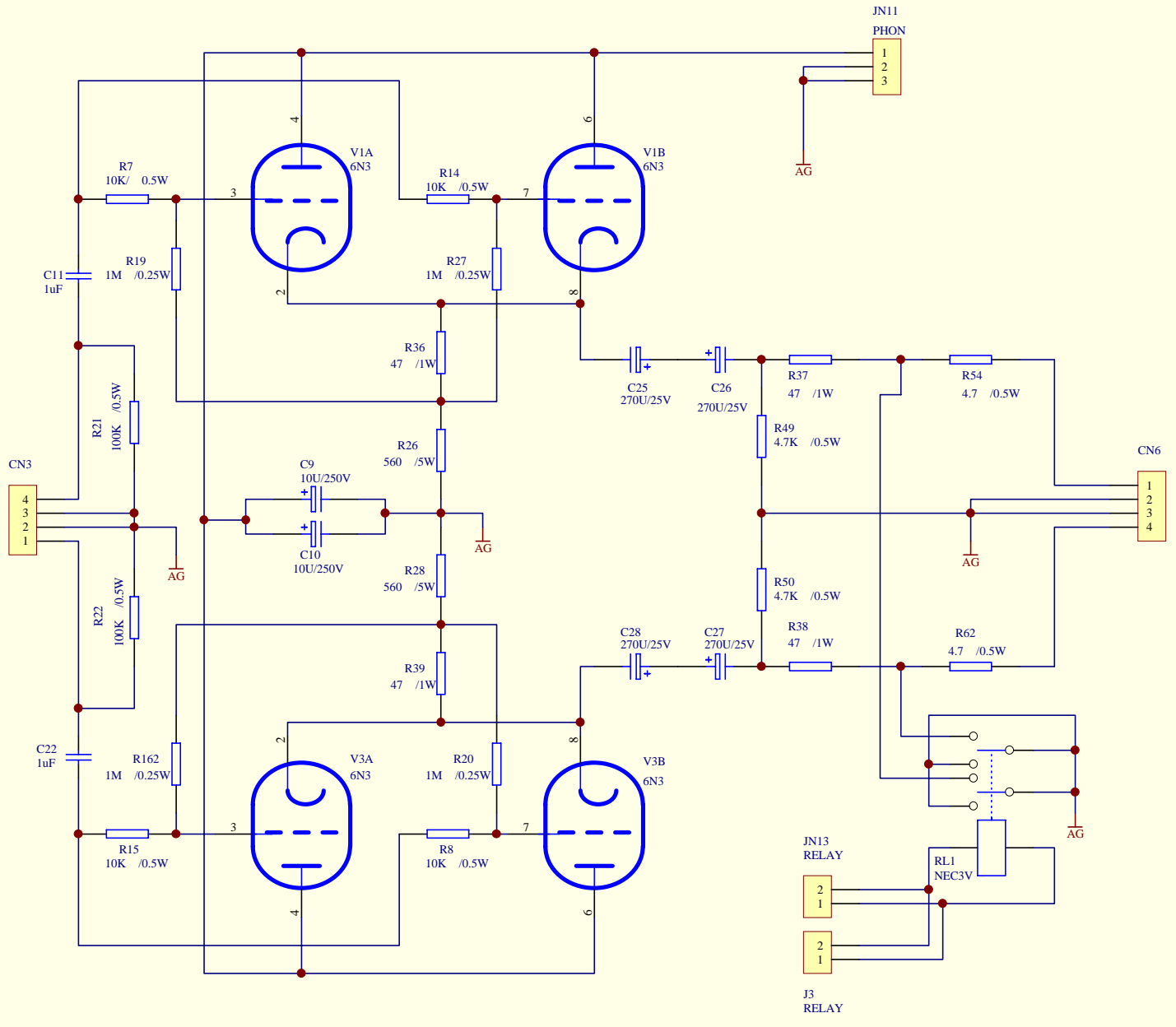


HD/SP LED_24Bbit/96KHz LED

CD-T100_CONTROL.SCH

Date:	DraWn By:
-------	-----------

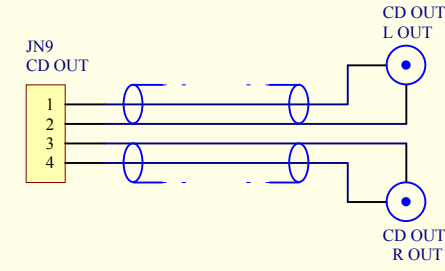
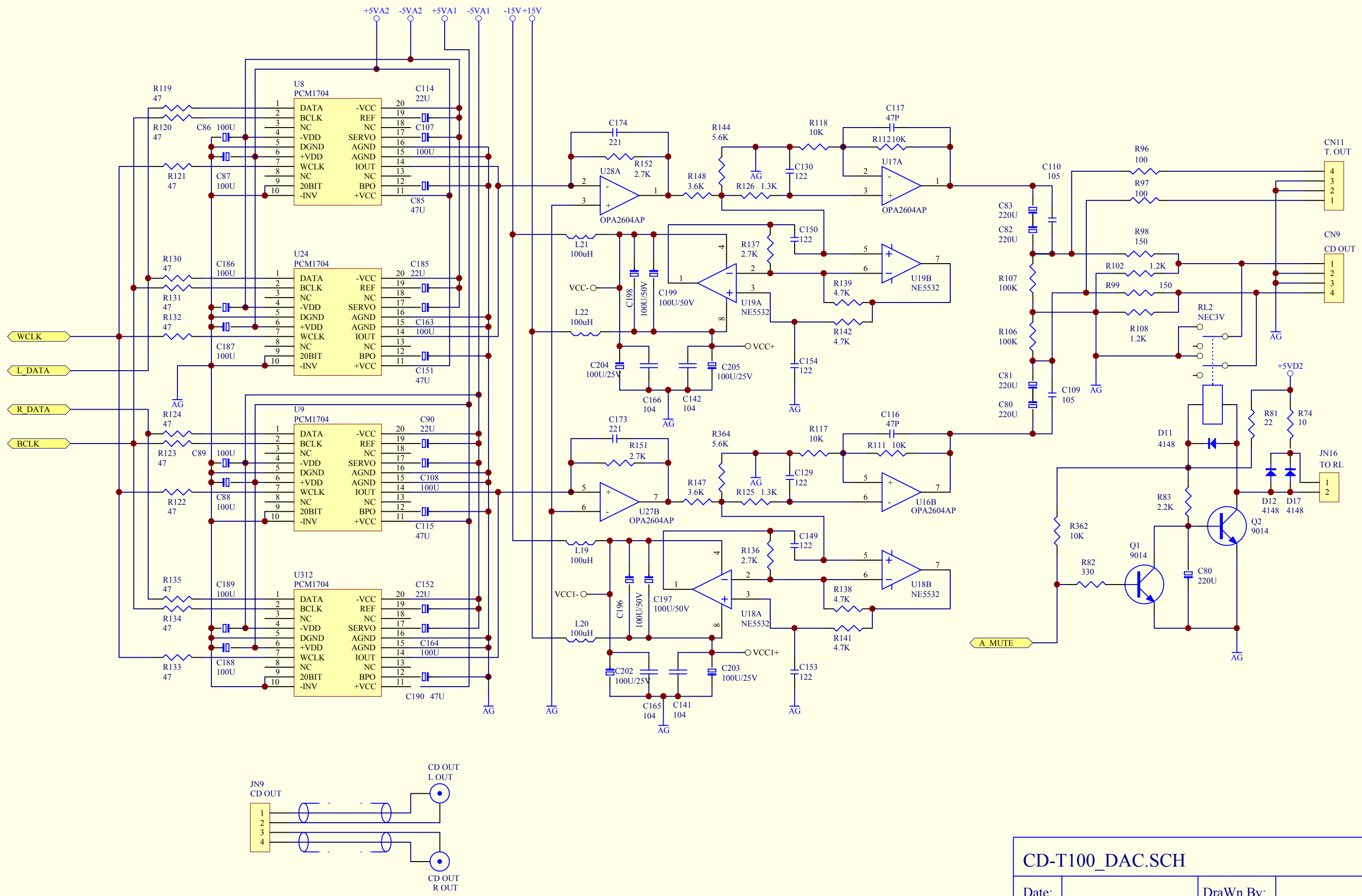


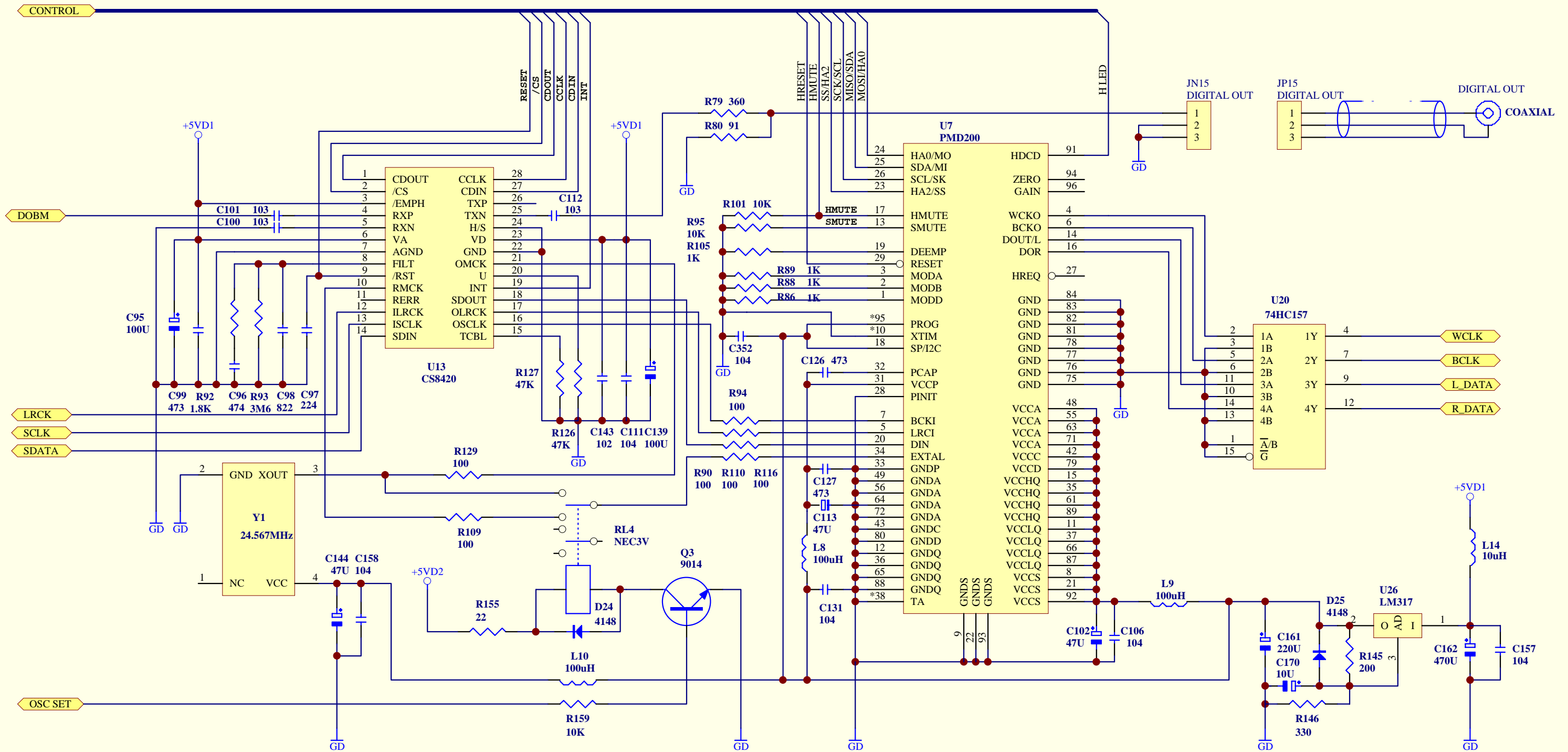


CD-T100_TUBE.SCH

Date: _____ DraWn By: _____

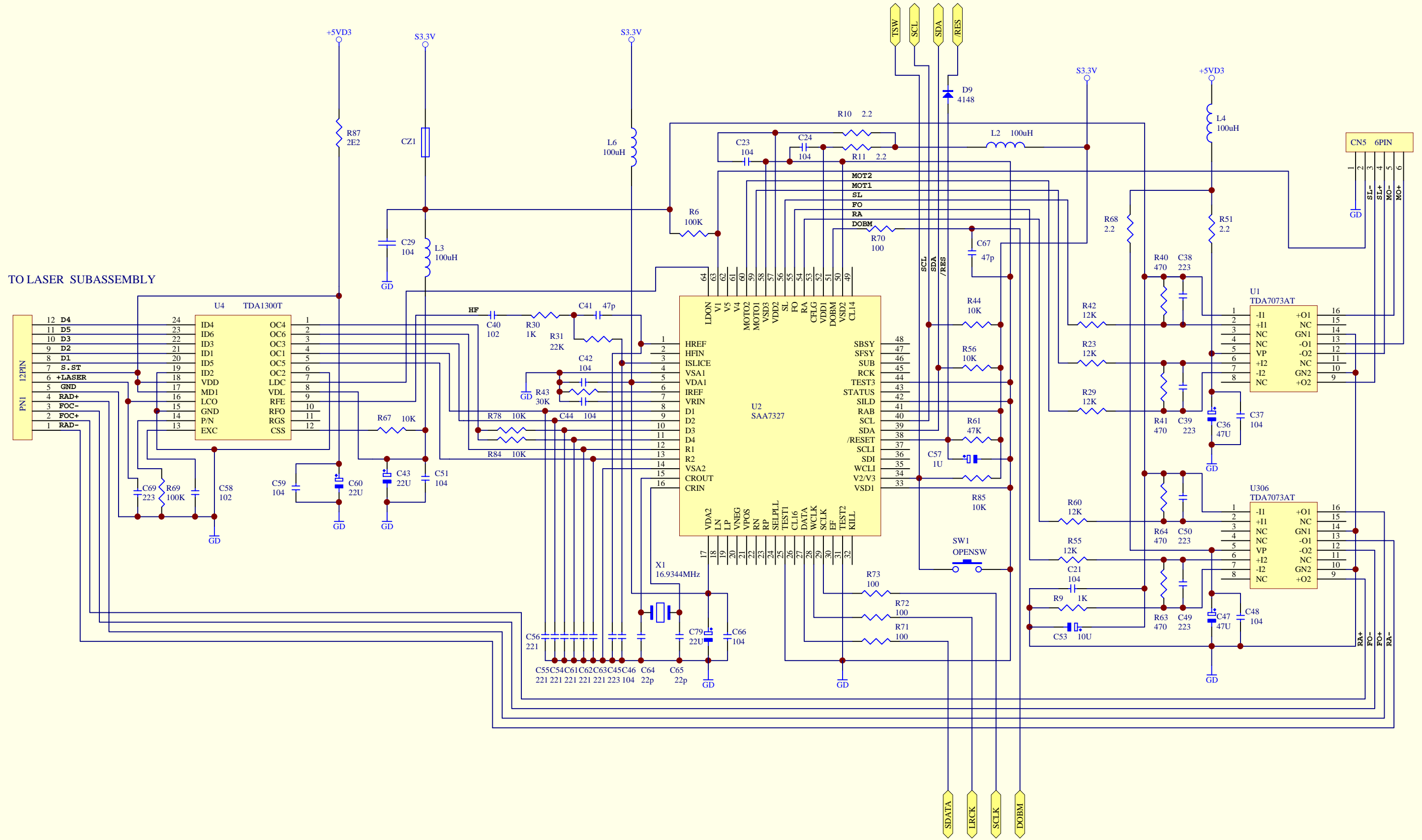
深圳市山灵电子有限公司
SHENZHEN SHANLING ELECTRONIC CO., LTD.





CD-T100_SRC.SCH

Date: _____ DraWn By: _____



CD-T100_SERVO.SCH

Date:		DraWn By:	
-------	--	-----------	--

