

**DESCRIPTION**

ALTEC 511B and 811B Sectoral Horns are designed for the mid or high frequency section of two-way or three-way sound systems. The 511B and 811B differ only in cutoff frequency and size.

Exponential expansion and straight throat configuration ensure uniform control of the sound dispersion pattern — 90° horizontal by 40° vertical — and exacting reproduction of the middle and high frequencies.

Of lightweight aluminum, these horns feature a front-mounting flange for easy installation.

Recommended for use with these horns are the ALTEC 902 series, the 908 series and the 731C High Frequency Drivers.

**SPECIFICATIONS**

**Distribution Pattern:** 90° H x 40° V

**Lowest Recommended Crossover Frequency:** 500 Hz, 511B  
800 Hz, 811B

**Pressure Sensitivity:** Measured on axis in the far (free) field with 1 watt input of band-limited pink noise from 500-3000 Hz\* and calculated to 4' equivalent (Ref.: 0 dB = 20 µPa)

1W, 4' Rating in SPL  
0.5 - 3 kHz      1.2 - 3 kHz

Driver	0.5 - 3 kHz	1.2 - 3 kHz
902-8B	—	104
908-8B	104	105
731C*	106.5	106.5

\*Limited to speech frequency range

**Dimensions—511B**

**Height:** 10<sup>5</sup>/<sub>8</sub>" (27.0 cm)  
**Width:** 23<sup>5</sup>/<sub>8</sub>" (60.0 cm)  
**Depth:** 18<sup>1</sup>/<sub>2</sub>" (47.0 cm)

**Dimensions—811B**

**Height:** 8<sup>5</sup>/<sub>8</sub>" (21.9 cm)  
**Width:** 18<sup>3</sup>/<sub>4</sub>" (47.6 cm)  
**Depth:** 13<sup>1</sup>/<sub>2</sub>" (34.3 cm)

**Weight—**

**511B:** 17<sup>3</sup>/<sub>4</sub> pounds (8.05 kg)  
**811B:** 9 pounds (4.08 kg)

**NOTE**

Drivers, dividing networks, and adapters must be ordered separately.

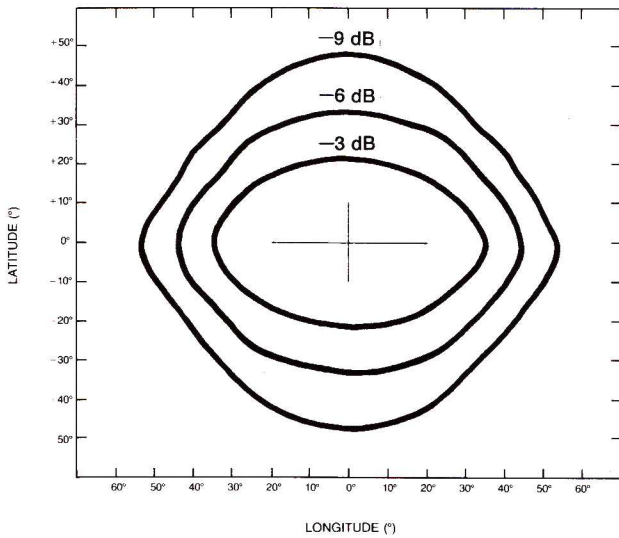


Figure 1. Solid angle contours of 511B horn.

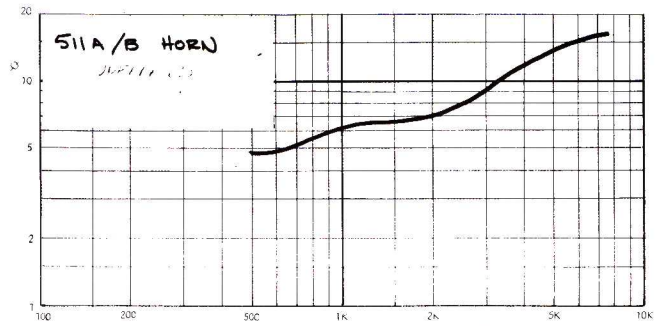


Figure 2. Mean Q vs. Frequency for Model 511B Horn

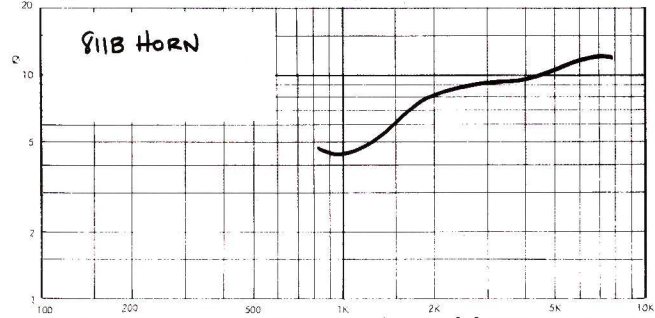


Figure 3. Mean Q vs. Frequency for Model 811B Horn

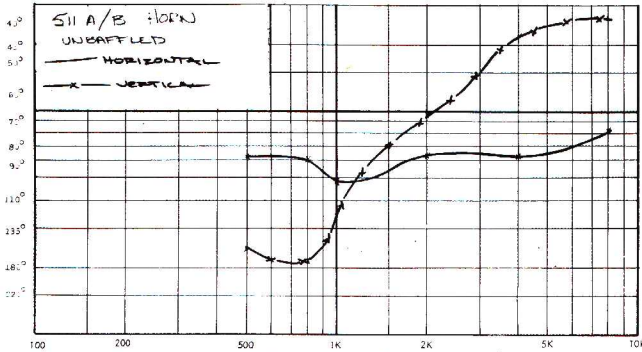


Figure 4. Angular Distribution vs. Frequency for Model 511B Horn

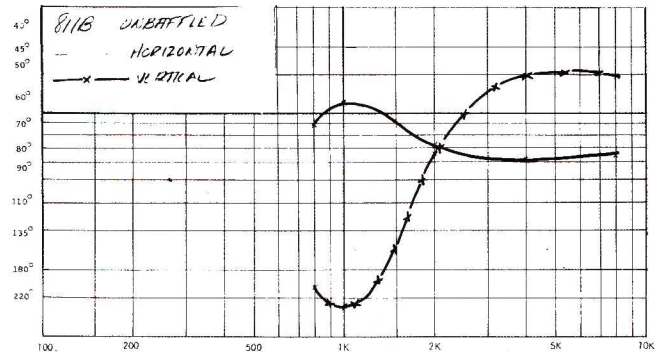


Figure 5. Angular Distribution vs. Frequency for Model 811B Horn

**ARCHITECT'S AND ENGINEER'S SPECIFICATIONS**

The loudspeaker horn shall be the straight sectoral type with exponential expansion, and shall be constructed of cast aluminum. When equipped with a compression-type driver (specified elsewhere), the horn shall meet the following performance criteria. Distribution pattern, 90° H x 40° V. Cutoff frequency, \_\_\_\_\_ Hz. Pressure sensitivity, \_\_\_\_\_ dB SPL with \_\_\_\_\_ horn and \_\_\_\_\_ driver when measured at 4'

on axis with 1 watt input of band-limited pink noise from \_\_\_\_\_ to 3000 Hz. The 500 Hz horn shall be 10<sup>5</sup>/<sub>8</sub>" H x 23<sup>5</sup>/<sub>8</sub>" W x 18<sup>1</sup>/<sub>2</sub>" D, and shall weigh 17<sup>3</sup>/<sub>4</sub> pounds. The 800 Hz horn shall be 8<sup>5</sup>/<sub>8</sub>" H x 18<sup>3</sup>/<sub>4</sub>" W x 13<sup>1</sup>/<sub>2</sub>" D, and shall weigh 9 pounds.

The 500 Hz horn shall be the ALTEC Model 511B.

The 800 Hz horn shall be the ALTEC Model 811B.

ROW 1 (1 : 4)



ROW 2 (5 : 8)



10500 WEST RENO AVENUE  
P.O. BOX 26105, OKLAHOMA CITY, OKLAHOMA 73126-0105  
© 1989 ALTEC LANSING CORPORATION